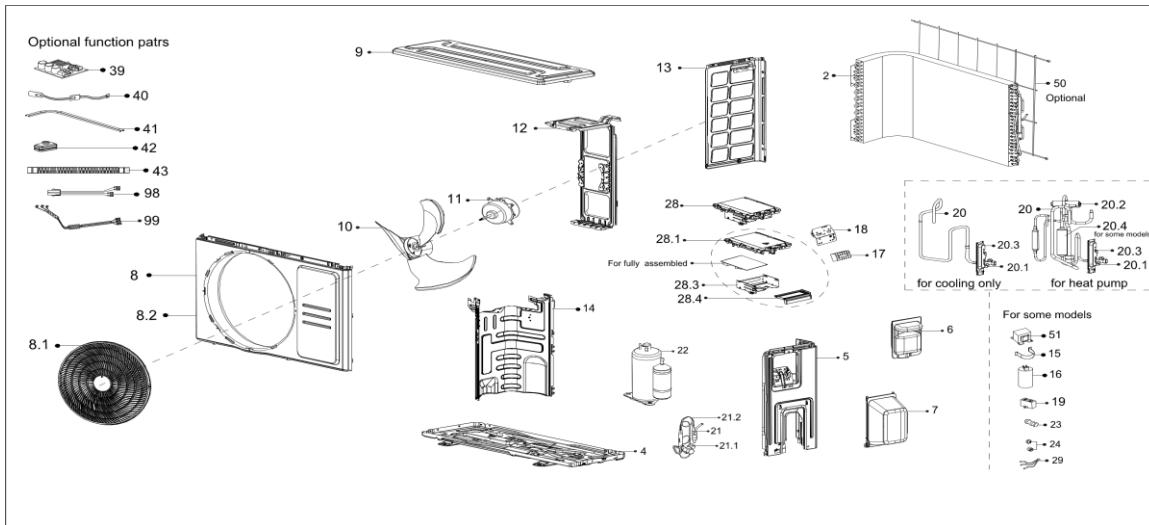


## Exploded View

MSA-09c outdoor unit



| EX_ID | Spare Parts Code | Part Name(EN)                         |
|-------|------------------|---------------------------------------|
| 2     | 1582200009658    | Condenser assembly                    |
| 4     | 12222000013427   | Chassis assembly                      |
| 5     | 12222000012141   | Right clapboard assembly              |
| 6     | 12100701A00057   | Big handle assembly                   |
| 7     | 12122000007150   | Water collector                       |
| 8     | 12222000012137   | Front panel assembly                  |
| 8.1   | 12122000024226   | Air outlet grille                     |
| 8.2   | 12222000012138   | Front panel                           |
| 9     | 12222000014305   | Top cover assembly                    |
| 10    | 12100105000821   | Axial flow fan                        |
| 11    | 11002015012128   | Brushless DC Motor                    |
| 12    | 12222000012390   | Supporter of fan motor                |
| 13    | 12222000012135   | Left supporter                        |
| 14    | 12222000013428   | Partition board assembly              |
| 17    | 17400401000016   | Terminal                              |
| 18    | 12222000002259   | Terminal board                        |
| 20    | 15422000017673   | 4-way Valve Assembly                  |
| 20.1  | 15500204000021   | Gas valve                             |
| 20.2  | 15500216001903   | 4-way valve                           |
| 20.3  | 12222000002571   | Valve plate                           |
| 20.4  | 15122000025014   | Muffler Subassembly                   |
| 21    | 15422000016434   | Liquid valve Assembly                 |
| 21.1  | 15500208000028   | Liquid valve                          |
| 21.2  | 15122000011174   | Capillary                             |
| 22    | 11103020005082   | DC Inverter rotary compressor         |
| 24    | 15500406000010   | Copper nut                            |
| 24    | 15500406000016   | Copper nut                            |
| 28    | 17222000A59951   | Electronic control box subassembly    |
| 28.1  | 12122000024223   | Support of electronic control box     |
| 28.3  | 12222000012106   | Electronic installing box subassembly |
| 28.4  | 12122000024222   | Fixing board                          |
| 29    | 11201011000067   | Combination sensor                    |
| 40    | 17402001000600   | Crankcase electric heating strip      |
| 41    | 17402002000464   | Electric heating tube                 |
| 99    | 17401203012697   | Compressor wire subassembly           |

